

**PANIDIS**   
 MAKEDONIKI • ALUMINIUM SYSTEM COMPONENTS

PANIDIS S.A.  
 PRODUCTION OF ALUMINIUM RAILING SYSTEMS & ACCESSORIES  
 TEL: +30 2310 780352-784 519, FAX: +30 2310 783764  
 www.panidis-sa.com e-mail: info@panidis-sa.com

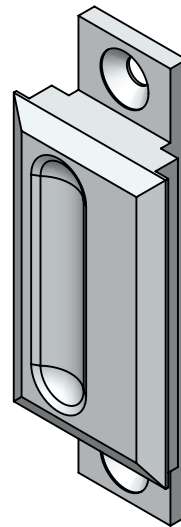
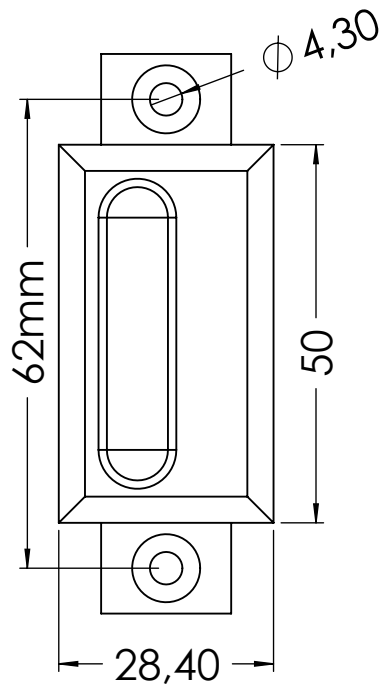
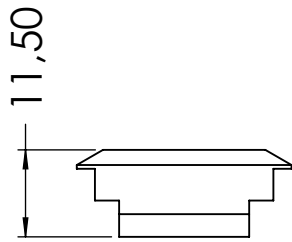
DWG NO.  
**GL-50 Technical sheet**

MATERIAL:	WEIGHT:
REVISION:	DATE: 4/2/2022
DO NOT SCALE DRAWING	
UNLESS OTHERWISE SPECIFIED: DIMENSIONS ARE IN MILLIMETERS	SHEET 1 OF 1
TOLERANCES: LINEAR: ANGULAR:	SCALE: 1:1

A3

Κατάλληλο για τα συστήματα υαλοπίνακα /  
Suitable for glass panel systems:

GF-10 / GF-10-M / GF-20



**PANIDIS**   
MAKEDONIKI • ALUMINIUM SYSTEM COMPONENTS

PANIDIS S.A.  
PRODUCTION OF ALUMINIUM RAILING SYSTEMS & ACCESSORIES  
TEL:+30 2310 780352-784 519, FAX: +30 2310 783764  
www.panidis-sa.com e-mail: info@panidis-sa.com

DWG NO.

GL-51 Technical sheet

MATERIAL:

WEIGHT:

REVISION:

DATE: 4/2/2022

DO NOT SCALE DRAWING

UNLESS OTHERWISE SPECIFIED:  
DIMENSIONS ARE IN MILLIMETERS

SHEET 1 OF 1

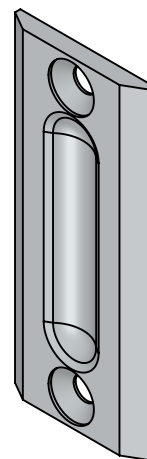
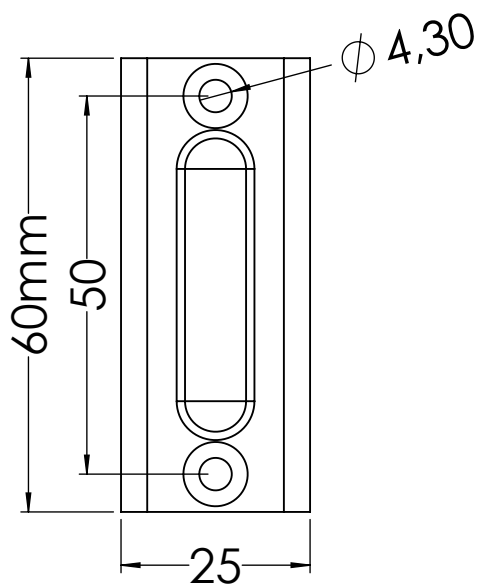
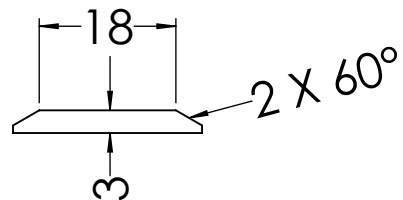
TOLERANCES:

LINEAR:  
ANGULAR:

SCALE:1:1

A4

Αντίκρισμα συμβατό με GL-50 για επιτοίχια στήριξη /  
Strike plate compatible with GL-50 for wall mount



**PANIDIS**   
MAKEDONIKI • ALUMINIUM SYSTEM COMPONENTS

**PANIDIS S.A**  
PRODUCTION OF ALUMINIUM RAILING SYSTEMS & ACCESSORIES  
TEL:+30 2310 780352-784 519, FAX: +30 2310 783764  
www.panidis-sa.com e-mail: info@panidis-sa.com

DWG NO.

## GL-52 Technical sheet

MATERIAL: ANODIZED ALUMINIUM

WEIGHT:

REVISION:

DATE:

DO NOT SCALE DRAWING

UNLESS OTHERWISE SPECIFIED:  
DIMENSIONS ARE IN MILLIMETERS

SHEET 2 OF 2

TOLERANCES: LINEAR:  
ANGULAR:

SCALE:1:1

A4